



**FROMMM** | AIRPAD  
SYSTEMS

## AP150 Bubble on demand

- User-friendly
- Compact design
- Roll production or storage

# FROMM's compact bubble on demand system



## Benefits

- Compact and ergonomic design
- Easy to integrate on any packstation
- High reliability
- Reduces material handling

## Specifications

- Built-in or external blower
- Modular configuration
- Wide range of films, up to 800mm | 31.5"

| Characteristics                                 |       | STD                | PRO                  |
|---|-------|--------------------|----------------------|
| Item code                                       | 220 V | 50.1092            | 50.1096              |
|   | 110 V | 50.1090            | 50.1094              |
| Speed (m/min   ft/min)                          |       | 8.0   26.2         | 8.0   26.2           |
| Weight (kg   lbs)                               |       | 8.8   19.4         | 8.8+12.0   19.4+26.5 |
| Internal blower for standard inflation pressure |       | YES                | NO                   |
| External compressor for high inflation pressure |       | NO                 | YES                  |
| Units per pallet                                |       | 24                 | 20                   |
| Optional winder                                 |       | YES <sup>(1)</sup> | YES <sup>(2)</sup>   |
| Optional stand                                  |       | STD version        | PRO version          |
| Overhead hopper                                 |       | YES                | YES                  |
| Compact bin                                     |       | YES                | YES                  |

<sup>(1)</sup> to be used with external control box (item code 50.2127)

<sup>(2)</sup> to be used with external control box (item code 50.2127) and an ethernet/RJ45 port splitter

AP 150 STD



AP 150 PRO



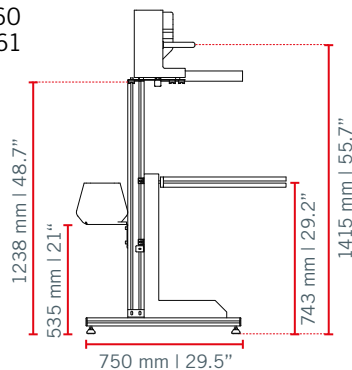


## AP150 accessories

### Roll production

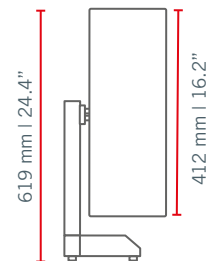
#### Compact stand

- Suitable for both STD and PRO versions
- Use as single stand
- Available with optional winder
- Item code:  
AP150 STD: 50.100160  
AP150 PRO: 50.100161



#### Standalone floor winder

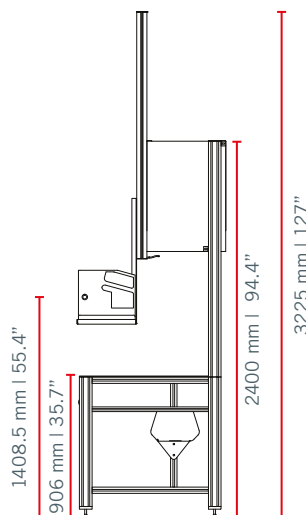
- Easy connection to the machine by aviation cable and control box
- Sensor for automatic stop of winder and machine at the end of the roll
- Item code:  
Winder 110V: 50.2122  
Winder 220V: 50.2120



### Storage station

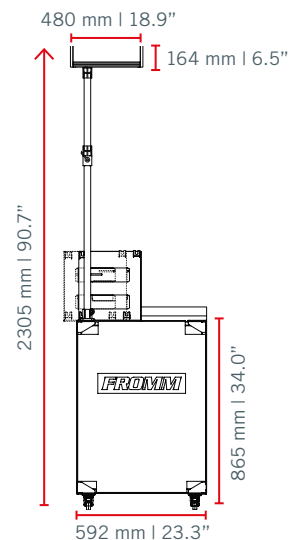
#### Top bin mini

- Versatile for single or multiple packstations
- Various mounting options
- Electric lift for easy film loading
- Adjustable height
- Automatic filling of the bin
- Custom design



#### Compact bin

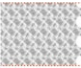

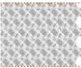

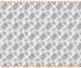


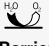
- Simple and compact solution for efficient integration
- Easy to assemble and install
- Universal solution for all packstations
- Ergonomic solution with easily adjustable pad holder
- Item code:  
AP150 STD: 50.100450  
AP150 PRO: 50.100451



# The right solution for your packaging needs

## High performance films

- Suitable for bottom and side wrapping
- Suitable for various shapes
- Ensures optimal protection

| Product name                      | Roll width  | Roll length  | Perf.length | Sealing pattern  | Film type   | Item code      |
|-----------------------------------|-------------|--------------|-------------|--|---|----------------|
| <b>BBL1</b><br>400x300mm   16x12" | 400mm   16" | 450m   1476' | 300mm   12" |   | <br><b>Strong</b>    | <b>37.9351</b> |
| <b>BBL1</b><br>400x300mm   16/12" | 400mm   16" | 450m   1476' | 300mm   12" |  | <br><b>Barrier</b> | <b>37.9357</b> |
| <b>BBL1</b><br>600x300mm   24x12" | 800mm   24" | 220m   722'  | 300mm   12" |  | <br><b>Barrier</b> | <b>37.9359</b> |
| <b>BBL1</b><br>800x300mm   32x12" | 800mm   32" | 110m   361'  | 300mm   12" |  | <br><b>Barrier</b> | <b>37.9360</b> |

## Tailor-made integration

- FROMM is present at all steps of your project, from identification of needs to installation and full maintenance of the line
- FROMM's end-of-the line expertise ensures reliable solutions, increased productivity and optimum ergonomics



**On-time  
delivery**



**Optimum working  
conditions**



**Profitable  
equipment**



**Flexible  
financing**

### FROMM HOLDING AG

Hinterbergstrasse 26  
CH-6330  
Steinhausen  
Switzerland  
Tel. +41 56 419 10 20  
Fax +41 56 419 10 30  
www.fromm-pack.com

For integration  
examples  
scan this code



## A 5-STEP PROCESS

- 1 Needs identification**  
Audit questionnaire for accurate description of requirements
- 2 Integration approach**  
2D/3D drawings within 2 weeks  
Quotation  
Lead time
- 3 System manufacturing**
- 4 Installation & commissioning**
- 5 Maintenance & Support**